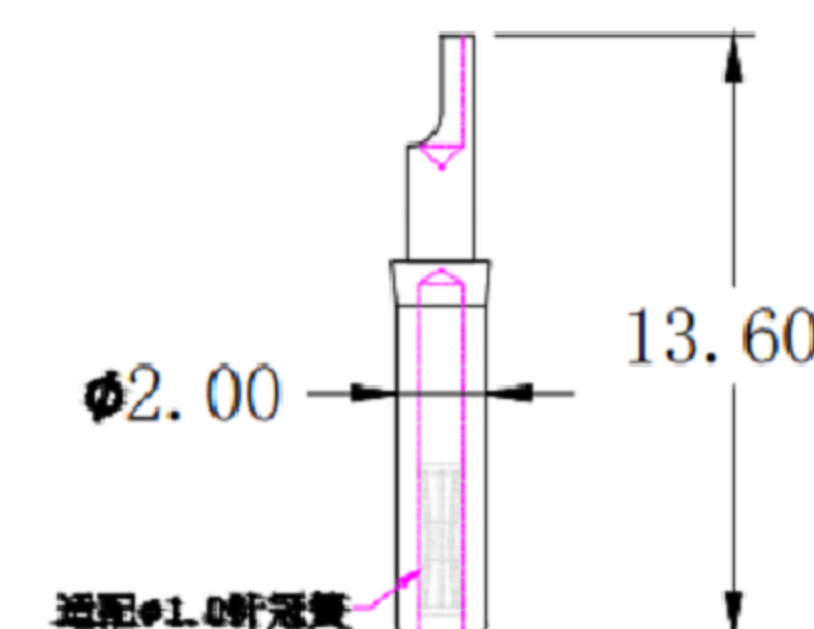


GD-TX-12-P-G 公头

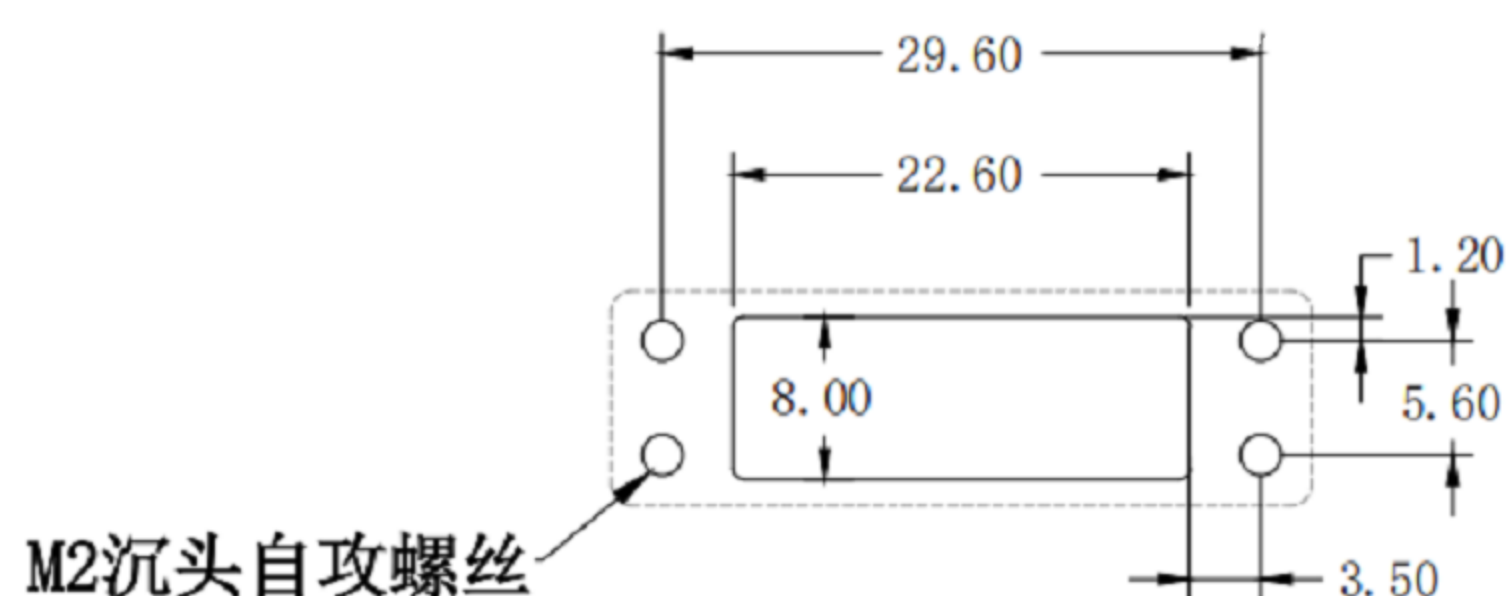
GD-TX-12-P-M 插座



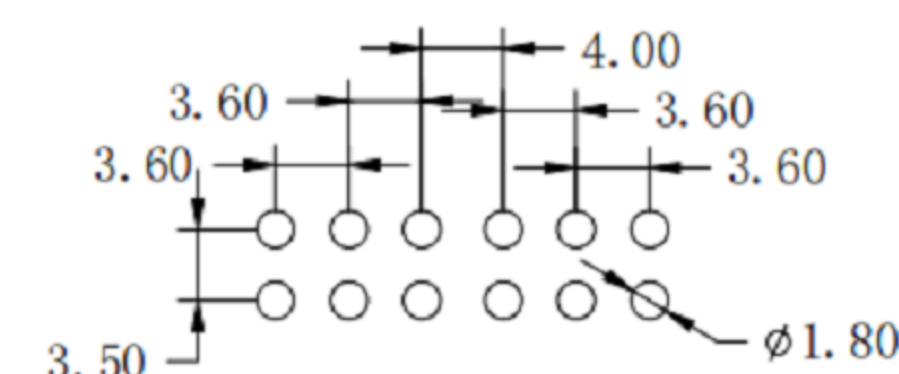
检验标准:

1. 塑胶件须无缺胶、缩水、破裂。变形、披锋、顶白等不良现象;
2. 五金不能缺失冠簧、无表面处理现象;
3. 塑胶件公差为±0.2mm 五金公差为±0.08 组装公差为±0.5mm

产品型号: GD-TX-12P  
 产品颜色: 黑色  
 金属材质: 铜镀金(1u)绝缘材  
 质: PA  
 瞬时电流: 10A  
 额定电流: 5A  
 额定电压: DC 500V  
 工作温度: -20°C to 120°C  
 推荐使用次数: 2000 TIMES



M2沉头螺丝固定开孔图与开窗图



Recommended P.C. Board Layout

**東莞市高迪電子有限公司**  
 DONG GUAN GAO DI ELECTRONICS CO., LTD

TOLERANCE UNLESS OTHERWISE STATED:  
 Up to 5 ±0.2  
 Above 5 ~ 15 ±0.3  
 Above 15 ~ 30 ±0.4  
 Above 30 ~ 50 ±0.5  
 Angle ±0.3°

3RD. ANGEL'S

UNITS MM

DRAWN BY:	DATE	MAT'L	TITLE	CONNECTOR
Jack Lu	12/13/19			
CHECKED BY:	DATE	FINISH	MODLE	GD-TX-12-P
Jacky Chen	12/13/19			
APPROVED BY:	DATE	SCALE	DWG NO.	SIZE
Tony Kao	12/13/19	1:1		A4
		SHEET NO.	PART NO.	VER
		1 of 1		R1